

READ AND SAVE THESE INSTRUCTIONS

WARNING! RISK OF ELECTRIC SHOCK

All electrical connections must be in accordance with local codes, ordinances, or national codes. If you are unfamiliar with methods of installing electrical wiring, secure the services of a qualified electrician.

Before starting installation, disconnect the power by turning off the circuit breaker or removing the fuse at fuse block. Turning power off using fan switch (speed control on/off) is not sufficient to prevent electrical shock.

NOTE: The important safeguards and instructions appearing in this manual are not meant to cover all possible conditions and situations that may occur. It must be understood that common sense, caution and care are factors which cannot be built into any product. These factors must be supplied by the person (s) caring for and operating the unit.

1. Remove the 3 light kit mounting screws from the decorative cover support plate. (Fig. 1)
2. While holding the light kit under your fan, Locate two single white and black wires in the switch housing labeled FOR LIGHT, make the polarized plug connections:
 - White to white
 - Black to black
3. Attach the LED light kit to the decorative cover support plates, secure by tightening the 3 light kit mounting screws previously removed. (Fig. 1)
4. Raise glass shade up against the decorative cover support plate and secure it to fan use the screws provided (Fig. 2)
5. Restore power and your light kit is ready for operation.

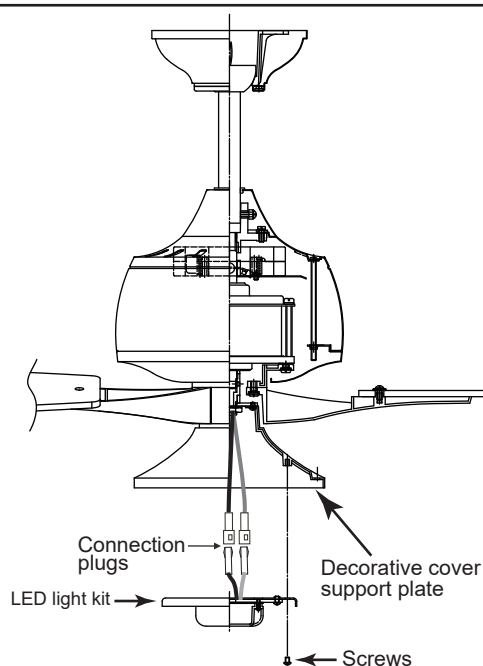


Figure 1

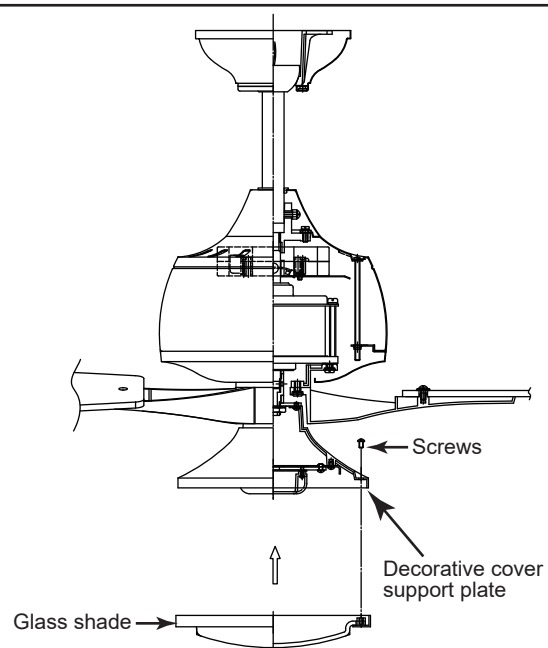


Figure 2